

Name: _____

ID: _____

ECS 17: Data, Logic, and Computing
Midterm 1
February 7, 2024

Notes:

- 1) The midterm is open book, open notes.
- 2) You have 50 minutes, no more: I will strictly enforce this.
- 3) The midterm is graded over 70 points
- 4) You can answer directly on these sheets (preferred), or on loose paper.
- 5) Please write your name at the top right of each page you turn in!
- 6) Please, check your work! **Also, do show your work**

Part I (6 questions, each 5 points; total 30 points)

(These questions are multiple choices; in each case, find the most **plausible** answer)

- 1) *The binary equivalent of the hexadecimal number #1A3 is:*
 - a. $(11010011)_2$
 - b. $(110100011)_2$
 - c. $(1001010011)_2$
 - d. $(11010)_2$

- 2) *Let A be the number with the hexadecimal representation #C and B the number whose hexadecimal representation is #24; which of these numbers X (in hexadecimal form) satisfies $X^2 - AX + B = 0$?*
 - a. #A
 - b. #B
 - c. #6
 - d. #7

- 3) *You want to store a silent movie on your computer. You know that your movie is 2 hour long, that it was filmed at a rate of 25 frames per second and that you need 10 kilobytes to store each frame. How much space do you need to store the whole movie, in megabytes (assuming that 1 megabyte = 1000 kilobytes)?*
 - a. 1.8 megabytes
 - b. 1,800 megabytes (=1.8 GB)
 - c. 180,000 megabytes (=180 GB)
 - d. 36,000 megabytes (=3.6 GB)

- 4) *A heart monitor works with a sampling frequency of 6 Hz. Which of these animals can be correctly monitored when resting, given the ranges of their resting heart rates (circle all that apply)*
 - a. Dog: 70-120 beats per minute,
 - b. Elephant: 25-35 beats per minute,
 - c. Chicken: 250-300 beats per minute,
 - d. Hamster: 300-600 beats per minute.

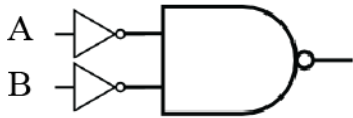
Name: _____

ID: _____

5) *If we sum the ASCII codes of the letters in a 2-letter word we get the hexadecimal #96. Which of those words would satisfy this property (circle all that are correct)?*

- a. AS
- b. BT
- c. ECS
- d. CS

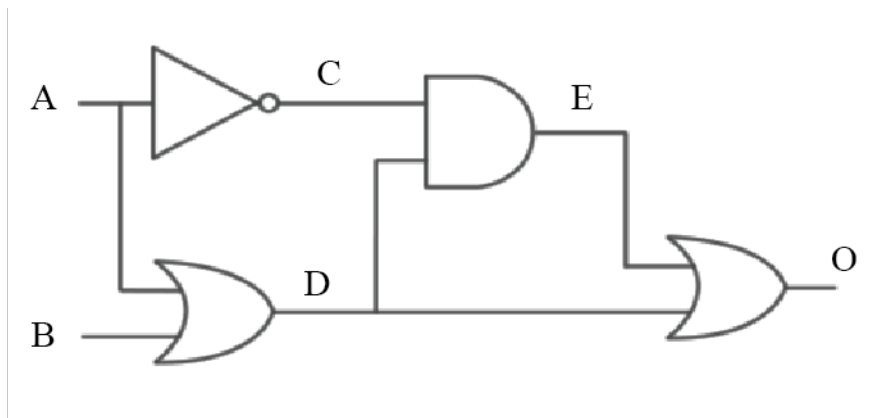
6) *The gate shown below is equivalent to:*



- a. The NAND gate,
- b. The AND gate,
- c. The OR gate,
- d. The NOR gate.

Part II (two problems, each 10 points; total 20 points)

1) Complete the logic table corresponding to the logic gate shown below. Convert it into a Boolean expression. Can you find a simpler logic gate that would perform the same operation? (10 points)



A	B	C	D	E	O
1	1				
1	0				
0	1				
0	0				

Name: _____

ID: _____

2) An engineer hands you a piece of paper with the following Boolean expression on it, and tells you to build a gate circuit to perform that function:

$$A \cdot B + \bar{A} \cdot \bar{B}$$

Draw a logic gate circuit for this function Represent its table of truth. Can you find a simpler logic gate that would perform the same operation? **(10 points)**

Name: _____

ID: _____

Part III (two problems, each 10 points; total 20 points)

1) Two guards are standing outside the entrance to a cave, guarding the treasure within. The treasure is one of copper, silver, gold, platinum, diamonds, or rubies. **Guard 1** lies when guarding **copper, silver, or gold** and tells the truth when guarding other treasure. **Guard 2**, on the other hand, lies when guarding **platinum, diamonds, or rubies**, but tells the truth when guarding other treasure.

You meet the guards at the entrance to the treasure cave, and they make these statements:

- Guard 1 says: **The treasure is either gold or copper.**
- Guard 2 says: **I hate chocolate.**

If you determine the content of the cave, the guards will let you pass and you can claim the treasure. Will you be able to? In addition, does guard 2 really hate chocolate? Show your work (*10 points*)

Name: _____

ID: _____

2) In the strange community of Subterranea, visitors cannot tell day from night, but the residents can. The residents are of two types: day-knights or night-knights. Day-knights tell the truth during the day and lie at night, while night-knights tell the truth at night and lie during the day.

Suppose you are visiting Subterranea - naturally, you lose your sense of time and would like to know whether it is day or night. You encounter two inhabitants, John and Sally, and each makes a statement:

- John says: **Sally is a day-knight, and it is day.**
- Sally says: **I am a night-knight, and John is a night-knight.**

Is it day or night now? Show your work (*10 points*)

Name: _____

ID: _____

Appendix A: ASCII table

Dec	Hex	Char	Dec	Hex	Char	Dec	Hex	Char	Dec	Hex	Char
0	00	Null	32	20	Space	64	40	@	96	60	`
1	01	Start of heading	33	21	!	65	41	A	97	61	a
2	02	Start of text	34	22	"	66	42	B	98	62	b
3	03	End of text	35	23	#	67	43	C	99	63	c
4	04	End of transmit	36	24	\$	68	44	D	100	64	d
5	05	Enquiry	37	25	%	69	45	E	101	65	e
6	06	Acknowledge	38	26	&	70	46	F	102	66	f
7	07	Audible bell	39	27	'	71	47	G	103	67	g
8	08	Backspace	40	28	(72	48	H	104	68	h
9	09	Horizontal tab	41	29)	73	49	I	105	69	i
10	0A	Line feed	42	2A	*	74	4A	J	106	6A	j
11	0B	Vertical tab	43	2B	+	75	4B	K	107	6B	k
12	0C	Form feed	44	2C	,	76	4C	L	108	6C	l
13	0D	Carriage return	45	2D	-	77	4D	M	109	6D	m
14	0E	Shift out	46	2E	.	78	4E	N	110	6E	n
15	0F	Shift in	47	2F	/	79	4F	O	111	6F	o
16	10	Data link escape	48	30	0	80	50	P	112	70	p
17	11	Device control 1	49	31	1	81	51	Q	113	71	q
18	12	Device control 2	50	32	2	82	52	R	114	72	r
19	13	Device control 3	51	33	3	83	53	S	115	73	s
20	14	Device control 4	52	34	4	84	54	T	116	74	t
21	15	Neg. acknowledge	53	35	5	85	55	U	117	75	u
22	16	Synchronous idle	54	36	6	86	56	V	118	76	v
23	17	End trans. block	55	37	7	87	57	W	119	77	w
24	18	Cancel	56	38	8	88	58	X	120	78	x
25	19	End of medium	57	39	9	89	59	Y	121	79	y
26	1A	Substitution	58	3A	:	90	5A	Z	122	7A	z
27	1B	Escape	59	3B	;	91	5B	[123	7B	{
28	1C	File separator	60	3C	<	92	5C	\	124	7C	
29	1D	Group separator	61	3D	=	93	5D]	125	7D	}
30	1E	Record separator	62	3E	>	94	5E	^	126	7E	~
31	1F	Unit separator	63	3F	?	95	5F	_	127	7F	□

Name: _____

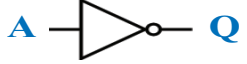
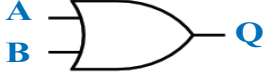
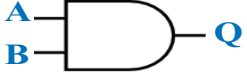

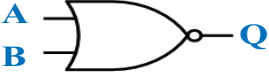
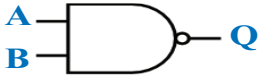

ID: _____

Appendix B: Binary to Hexadecimal

Base 10	Base 2	Base 16
0	0000	0
1	0001	1
2	0010	2
3	0011	3
4	0100	4
5	0101	5
6	0110	6
7	0111	7
8	1000	8
9	1001	9
10	1010	A
11	1011	B
12	1100	C
13	1101	D
14	1110	E
15	1111	F

Name: _____

ID: _____

NOT		\bar{A} or $\neg A$	<table border="1" data-bbox="1182 252 1364 378"> <thead> <tr> <th>Input</th> <th>Output</th> </tr> <tr> <th>A</th> <th>Q</th> </tr> </thead> <tbody> <tr> <td>1</td> <td>0</td> </tr> <tr> <td>0</td> <td>1</td> </tr> </tbody> </table>	Input	Output	A	Q	1	0	0	1										
Input	Output																				
A	Q																				
1	0																				
0	1																				
OR		$A+B$ or $A \vee B$	<table border="1" data-bbox="1140 462 1403 655"> <thead> <tr> <th>Input 1</th> <th>Input 2</th> <th>Output</th> </tr> <tr> <th>A</th> <th>B</th> <th>Q</th> </tr> </thead> <tbody> <tr> <td>1</td> <td>1</td> <td>1</td> </tr> <tr> <td>1</td> <td>0</td> <td>1</td> </tr> <tr> <td>0</td> <td>1</td> <td>1</td> </tr> <tr> <td>0</td> <td>0</td> <td>0</td> </tr> </tbody> </table>	Input 1	Input 2	Output	A	B	Q	1	1	1	1	0	1	0	1	1	0	0	0
Input 1	Input 2	Output																			
A	B	Q																			
1	1	1																			
1	0	1																			
0	1	1																			
0	0	0																			
AND		$A \cdot B$ or $A \wedge B$	<table border="1" data-bbox="1140 701 1403 894"> <thead> <tr> <th>Input 1</th> <th>Input 2</th> <th>Output</th> </tr> <tr> <th>A</th> <th>B</th> <th>Q</th> </tr> </thead> <tbody> <tr> <td>1</td> <td>1</td> <td>1</td> </tr> <tr> <td>1</td> <td>0</td> <td>0</td> </tr> <tr> <td>0</td> <td>1</td> <td>0</td> </tr> <tr> <td>0</td> <td>0</td> <td>0</td> </tr> </tbody> </table>	Input 1	Input 2	Output	A	B	Q	1	1	1	1	0	0	0	1	0	0	0	0
Input 1	Input 2	Output																			
A	B	Q																			
1	1	1																			
1	0	0																			
0	1	0																			
0	0	0																			
XOR		$A \oplus B$	<table border="1" data-bbox="1140 940 1403 1134"> <thead> <tr> <th>Input 1</th> <th>Input 2</th> <th>Output</th> </tr> <tr> <th>A</th> <th>B</th> <th>Q</th> </tr> </thead> <tbody> <tr> <td>1</td> <td>1</td> <td>0</td> </tr> <tr> <td>1</td> <td>0</td> <td>1</td> </tr> <tr> <td>0</td> <td>1</td> <td>1</td> </tr> <tr> <td>0</td> <td>0</td> <td>0</td> </tr> </tbody> </table>	Input 1	Input 2	Output	A	B	Q	1	1	0	1	0	1	0	1	1	0	0	0
Input 1	Input 2	Output																			
A	B	Q																			
1	1	0																			
1	0	1																			
0	1	1																			
0	0	0																			
NOR		$\overline{A+B}$ or $\overline{A \vee B}$	<table border="1" data-bbox="1140 1180 1403 1373"> <thead> <tr> <th>Input 1</th> <th>Input 2</th> <th>Output</th> </tr> <tr> <th>A</th> <th>B</th> <th>Q</th> </tr> </thead> <tbody> <tr> <td>1</td> <td>1</td> <td>0</td> </tr> <tr> <td>1</td> <td>0</td> <td>0</td> </tr> <tr> <td>0</td> <td>1</td> <td>0</td> </tr> <tr> <td>0</td> <td>0</td> <td>1</td> </tr> </tbody> </table>	Input 1	Input 2	Output	A	B	Q	1	1	0	1	0	0	0	1	0	0	0	1
Input 1	Input 2	Output																			
A	B	Q																			
1	1	0																			
1	0	0																			
0	1	0																			
0	0	1																			
NAND		$\overline{A \cdot B}$ or $\overline{A \wedge B}$	<table border="1" data-bbox="1140 1419 1403 1612"> <thead> <tr> <th>Input 1</th> <th>Input 2</th> <th>Output</th> </tr> <tr> <th>A</th> <th>B</th> <th>Q</th> </tr> </thead> <tbody> <tr> <td>1</td> <td>1</td> <td>0</td> </tr> <tr> <td>1</td> <td>0</td> <td>1</td> </tr> <tr> <td>0</td> <td>1</td> <td>1</td> </tr> <tr> <td>0</td> <td>0</td> <td>1</td> </tr> </tbody> </table>	Input 1	Input 2	Output	A	B	Q	1	1	0	1	0	1	0	1	1	0	0	1
Input 1	Input 2	Output																			
A	B	Q																			
1	1	0																			
1	0	1																			
0	1	1																			
0	0	1																			
XNOR		$\overline{A \oplus B}$	<table border="1" data-bbox="1140 1667 1403 1860"> <thead> <tr> <th>Input 1</th> <th>Input 2</th> <th>Output</th> </tr> <tr> <th>A</th> <th>B</th> <th>Q</th> </tr> </thead> <tbody> <tr> <td>1</td> <td>1</td> <td>1</td> </tr> <tr> <td>1</td> <td>0</td> <td>0</td> </tr> <tr> <td>0</td> <td>1</td> <td>0</td> </tr> <tr> <td>0</td> <td>0</td> <td>1</td> </tr> </tbody> </table>	Input 1	Input 2	Output	A	B	Q	1	1	1	1	0	0	0	1	0	0	0	1
Input 1	Input 2	Output																			
A	B	Q																			
1	1	1																			
1	0	0																			
0	1	0																			
0	0	1																			